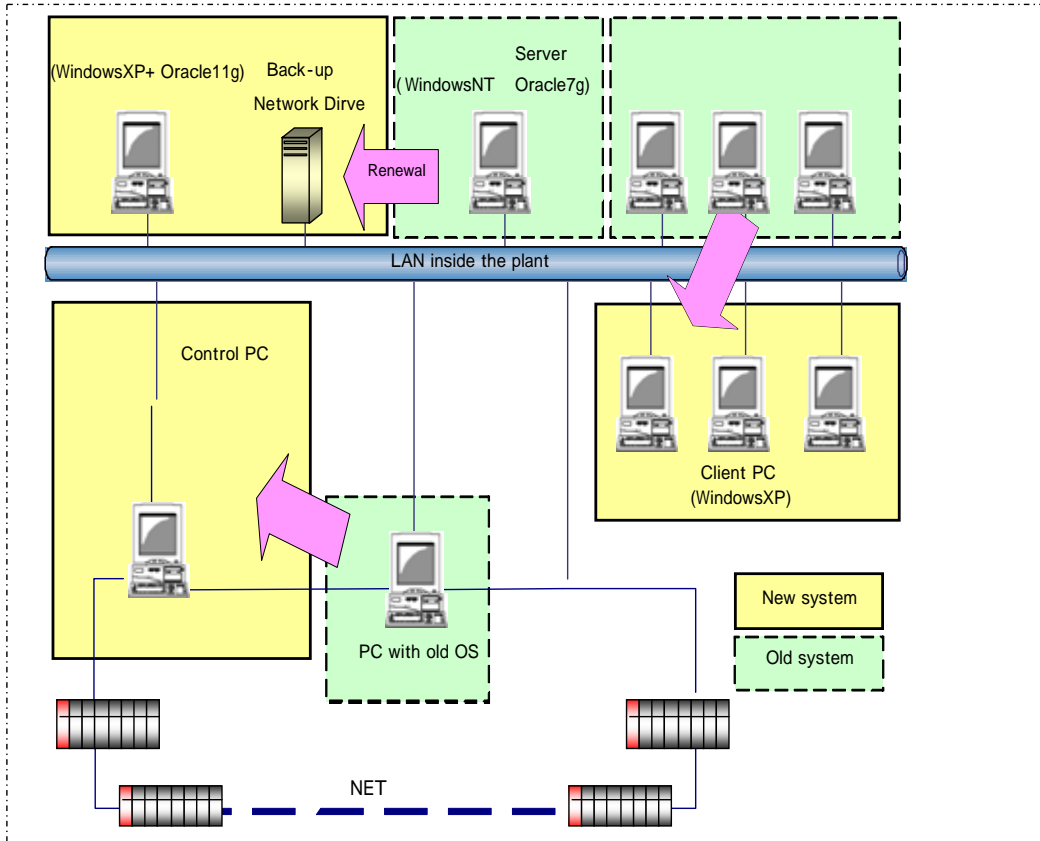


Equipment Renewal

Renewal service of PC system with old OS / model change from sequencers or touch-panels out of production. Please contact us for system and/or panel renewal.

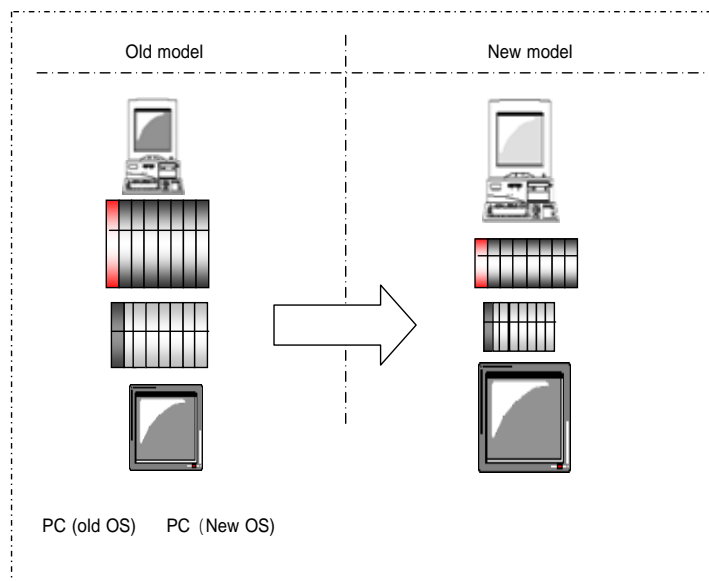
(1) . Example of System Renewal:

Renewal from discontinued-model parts (Mitsubishi LM) to PLC + PC, and other PC system renewal.



(2) . PLC Renewal

Renewal of various brands' discontinued models.



(2) . Panel Renewal
Renew old panels.

