

System Construction (PLC instrumentation / FA)

Experiences with various kind of HMI (i FIX, InTouch, JoyWatcher, Citect, etc.) and PLC instrument from Maker M and Maker O.

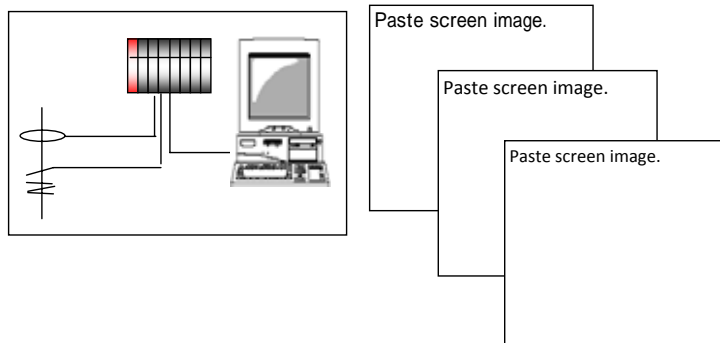
A lot of customers have switched from expensive DCS to PLC Instrument.

Our PLC Instrument is custom-made for each customer's detailed requests.

(1) . Electronics Company / Electricity Monitoring System

Gather information of electricity usage from each room and analyze the data as Trend and Skeleton.

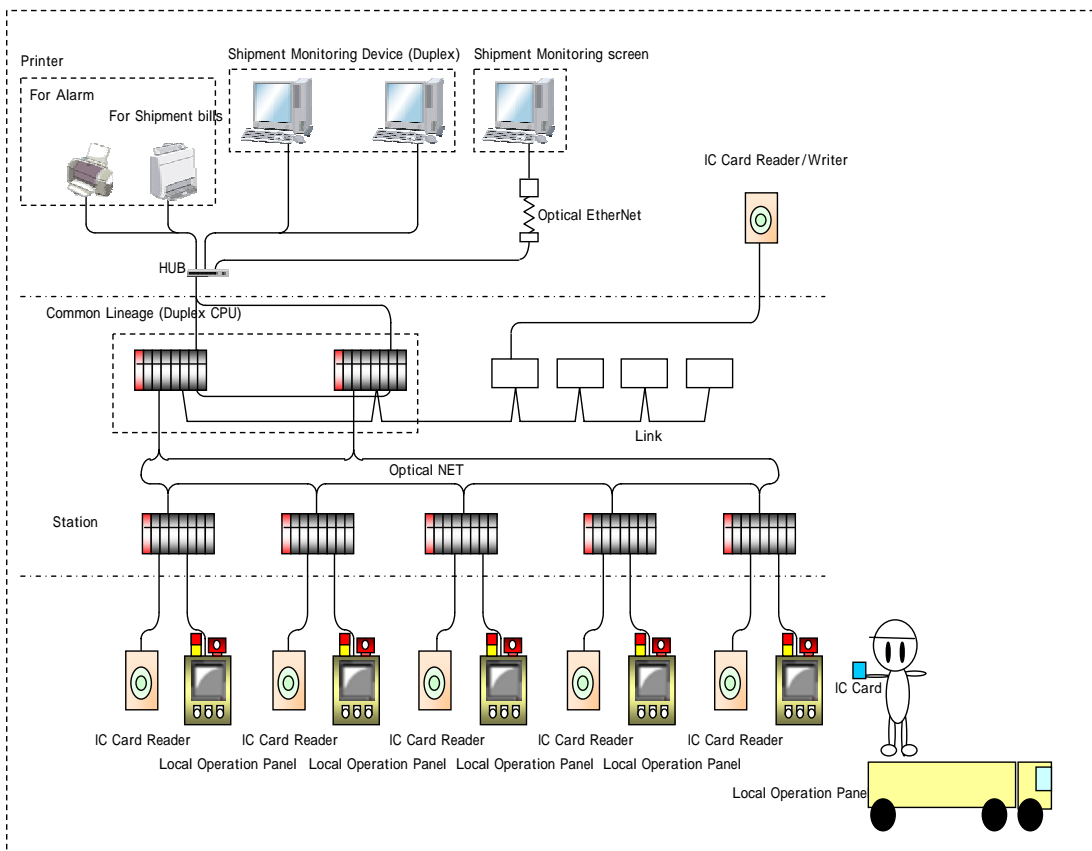
Output the data in record forms.



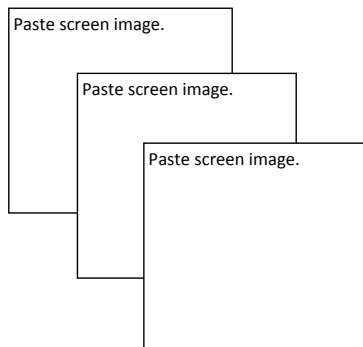
(2) . Gas Company / LNG Shipment Monitoring and Control System

Managing information with IC cards can simplify the transaction for drivers.

Avoid possible risk and trouble with duplexed PLC and SCADA.



(3) . Carbon Manufacturer / Boiler Temp. Control System,
Monitor equipments with graphic screen, and display temperature and set the machine condition with
instrument image.



(4) . Chemical Company / Film Temp. Control Sysmtem
Control Temperature at each point on production lines, and display overall alarms of the lines in one screen.
Temperature data is trend-displayed and recorded in forms.

